

Veinlite LED+®

DIRECTIONS FOR USE



Description

The Veinlite® LED+ is a hand-held battery powered transillumination device for visualizing veins and superficial blood vessels. Veinlite utilizes the patented* transillumination technique known as side-transillumination, which uniformly illuminates a small region of skin and subcutaneous tissue without any shadow areas. The shadow-free side-transillumination technique allows better visualization of veins than any other transillumination method. The LEDs emit light with the optimal wavelength for highlighting the contrast between the venous blood vessels and surrounding tissue.

INDICATIONS

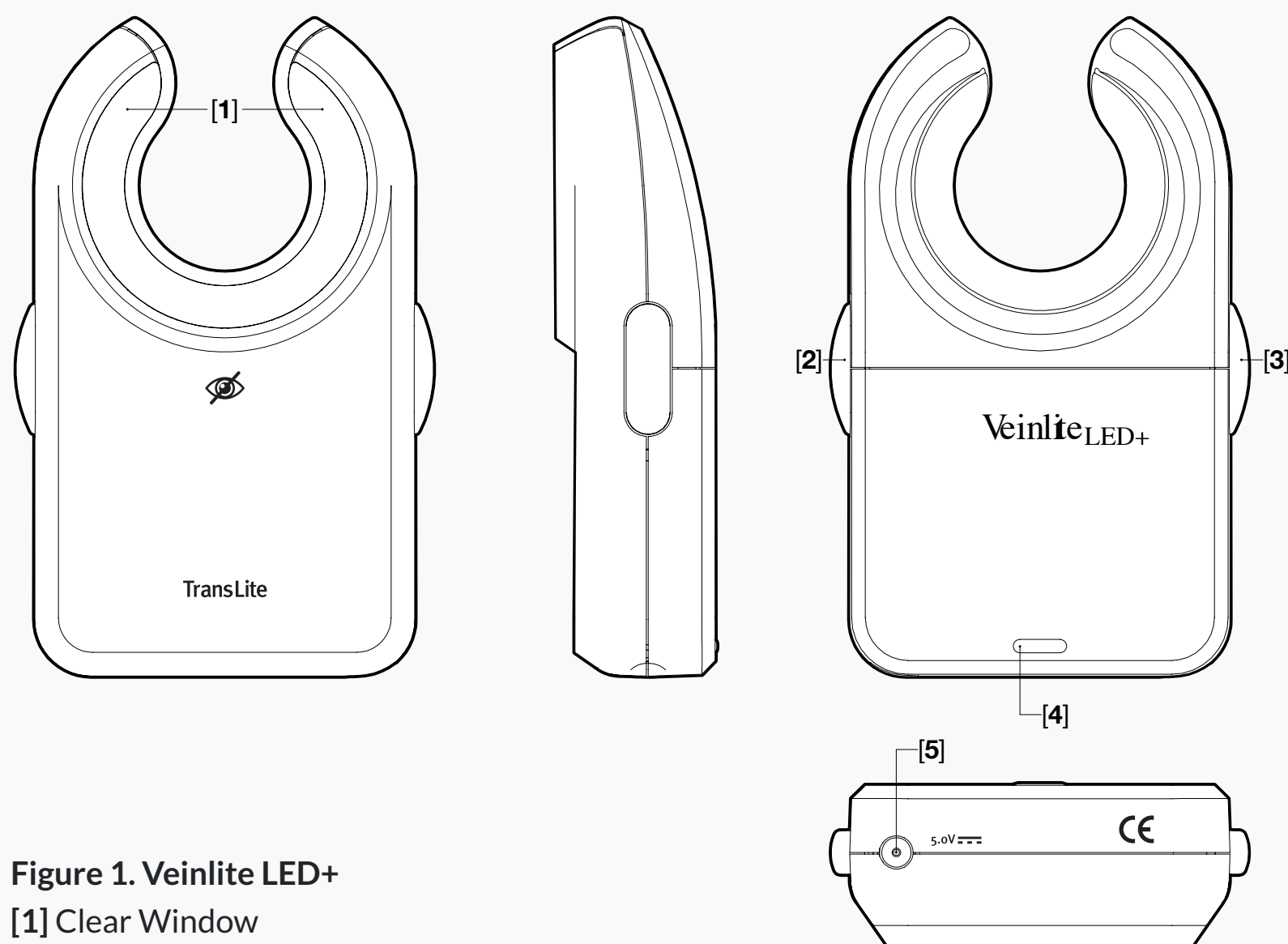


Figure 1. Veinlite LED+
 [1] Clear Window
 [2] Orange Button
 [3] Red Button
 [4] Battery Cover
 [5] Charging Socket

Intended Use/Indications

- Venous access in children/adult patients
- Patients with a history of difficult venous access
- Improved visualization of veins in patients with different pigmented skin types
- Improved visualization of veins in geriatric patients

Contraindications

- When used for internal examination
- When used without the disposable plastic cover
- Not to be used near magnetic or electromagnetic fields

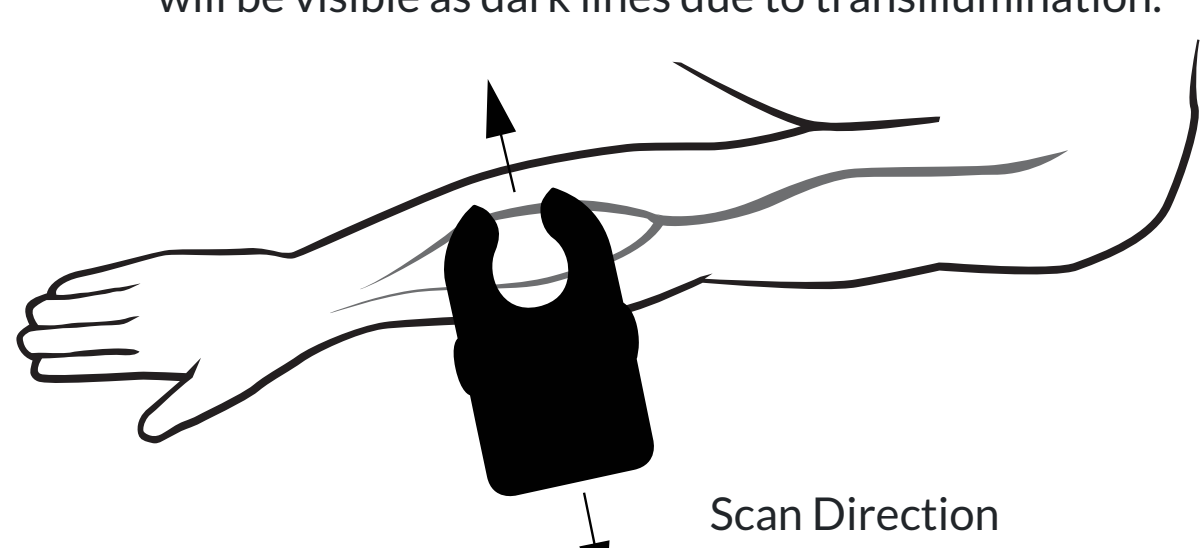
Specifications

Number of LEDs	22 Orange 6 Red
Weight with battery	77g
Dimensions	99 x 57 x 21 mm
Battery	Rechargeable Lithium Ion

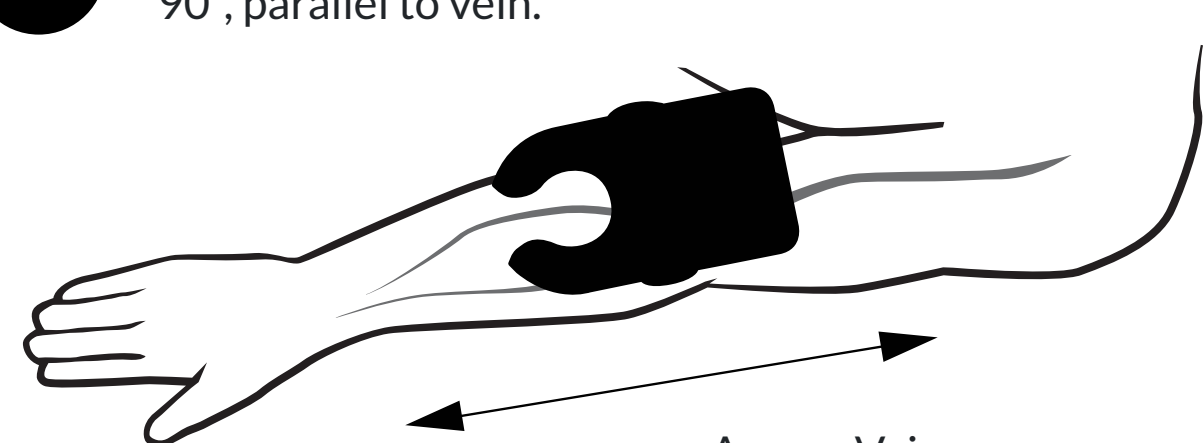
OPERATION

- Place the Veinlite LED+ against the patient's skin with the LED side in direct contact with the skin perpendicular to vein direction. Apply gentle pressure to maintain optimal skin contact.
- To turn on: press appropriate button once, (located on either side of device).
 - Orange Button [2]- Small superficial veins on fair skin
 - Red Button [3]- Deeper veins or darkly pigmented skin.
- To turn off: press the selected button(s) once a second time.

- 1** To scan for veins, place device against skin *perpendicular* to vein direction. Scan it forward and backward. Veins will be visible as dark lines due to transillumination.

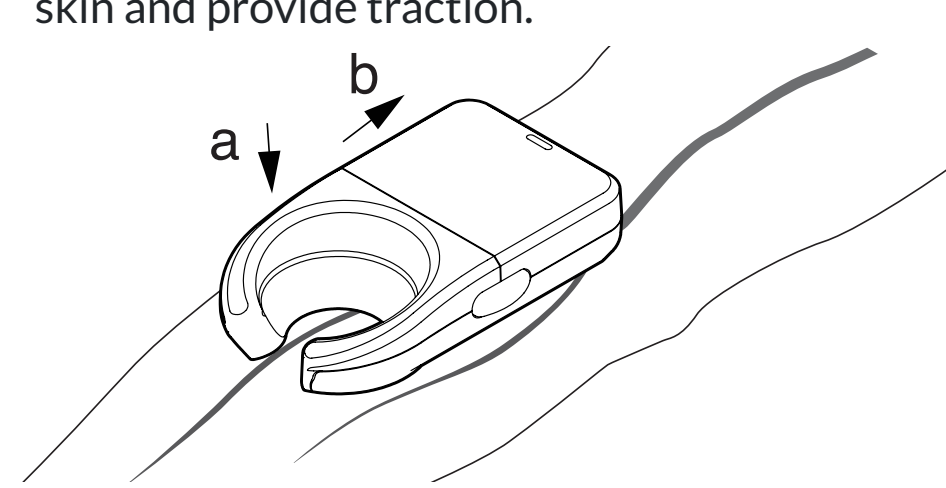


- 2** Once a suitable vein has been identified, rotate device 90°, parallel to vein.

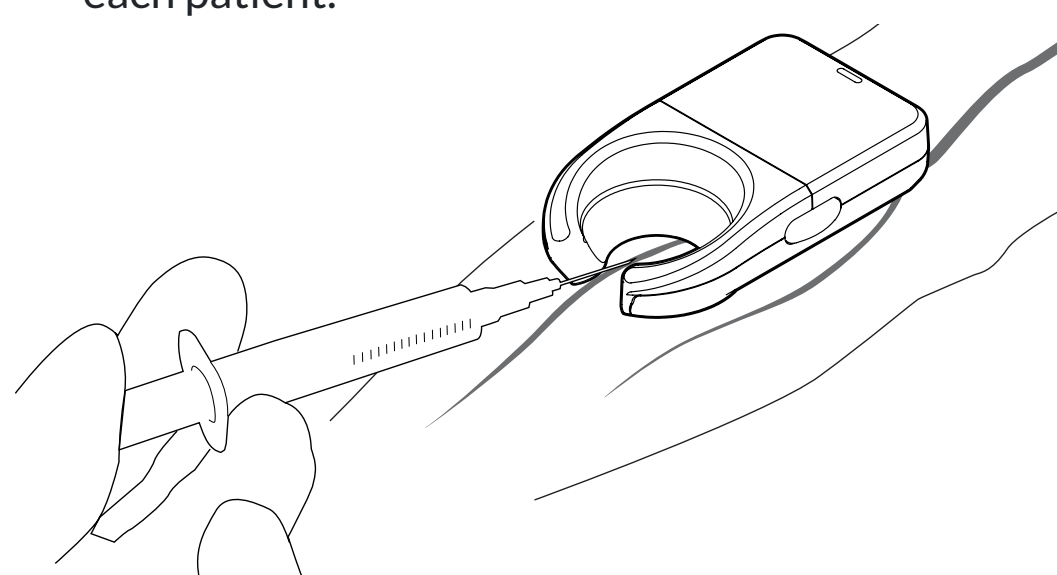


- 3a** Apply gentle pressure on the Veinlite LED+ to secure the vein.

- 3b** Push back slightly on the Veinlite LED+ to stretch the skin and provide traction.



- 4** Insert needle into vein, through the opening of device. NOTE: Discard single-use disposable plastic cover after each patient.



WARNING

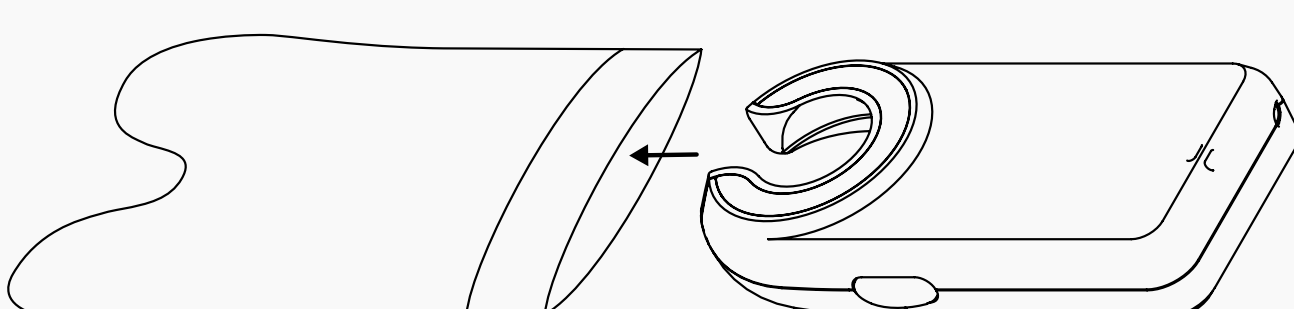
DO NOT SHINE THE LED LIGHTS IN THE PATIENT'S EYES.

USING THE DISPOSABLE PLASTIC COVERS

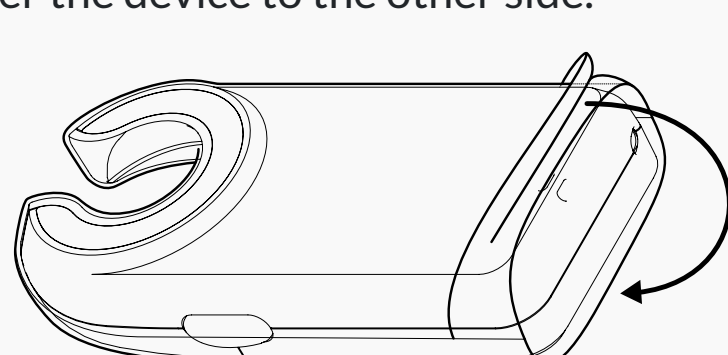
The LED+ single-use disposable plastic covers (Product # VLED+DPC) **MUST** be used when the device comes in contact with patient's skin.

CAUTION: These plastic covers are not sterile. They should be wiped with a germicidal wipe prior to use.

- Before using Veinlite LED+, place inside the disposable cover with the flap on the same side as the LEDs.



- Pull the flap over the device to the other side.



- Wipe the LED side of the device, and any part coming in contact with the patient, with a medically approved germicidal wipe.

Precautions

- Only use device with the accompanied charging cord supplied by TransLite.
- Do not use the device while plugged into any power source.
- Avoid using alcohol on the clear plastic window, this may cause fogging.
- Do not autoclave or use liquid on the device.

[Click here to re-order LED+ disposable plastic covers. US customers only.](#)

WARNING

Veinlite LED+ is designed for external examination only.

To avoid contamination, the LED+ must be used with disposable plastic covers.

To avoid spread of infection, always change the disposable plastic cover between patients and wipe the new cover with germicidal wipes.

LED+ is intended for use only by clinicians trained in performing vascular access, or under the supervision of a clinician.

Do not look directly into LEDs while on.

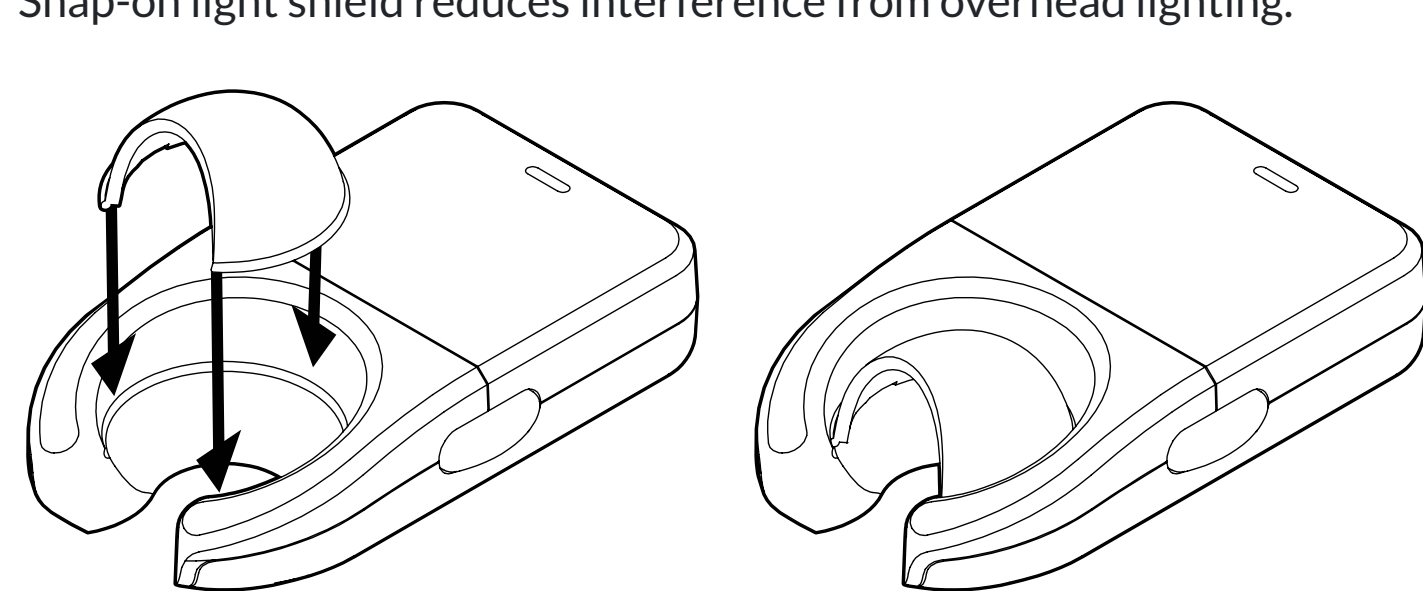
Contact TransLite about adverse event in relation to this device. Should adverse event occur in E.U., notify EU Competent Authority.

ATTACHMENTS

Two patented* attachments are included with the Veinlite LED+. The diagrams below indicate how to attach the light shield and pediatric adapter.

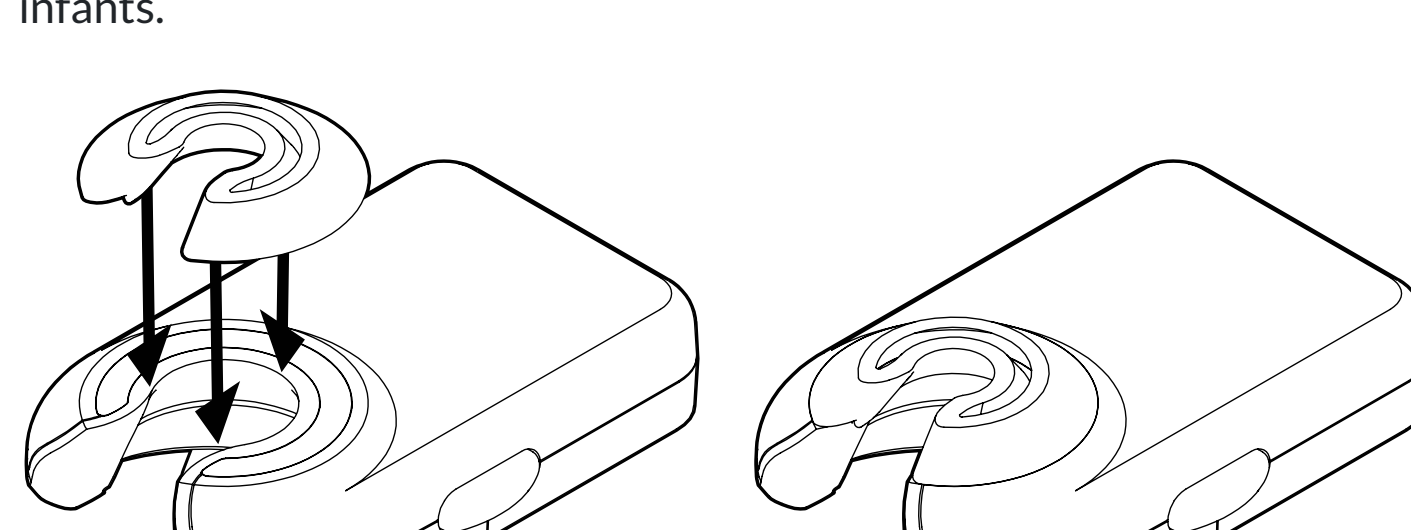
A. Veinlite LED+ Light Shield

Snap-on light shield reduces interference from overhead lighting.



B. Veinlite LED+ Pediatric Adapter

Snap-on pediatric adapter reduces the size of viewing area for use with infants.



BATTERY INSTRUCTIONS

Battery Level Indicator Light

Veinlite LED+ incorporates a low battery level indicator light. The orange button illuminates when the battery charge level reaches approximately 5% of full battery charge.

Recharging the Battery

The Veinlite LED+ is powered by a rechargeable lithium-Ion battery providing approximately 300 minutes of continuous usage.

- Connect the charger by inserting it into the charging socket located on the bottom of the device (E).
- The orange button will blink indicating device is charging. Once fully charged the blinking will stop.

Replacing the Battery

1. Slide off battery cover.
2. Remove battery by unplugging the connector at the top.
3. Replace the battery with a new battery by plugging it into the connector.
4. Slide battery cover back on.

NOTE: Before using your Veinlite LED+, please read the detailed battery safety information on our website FAQ page: <https://www.veinlite.com/faq>

WARRANTY INFORMATION

The Veinlite LED+ has a one-year parts and labor warranty. The warranty is valid only if the device is used according to the manufacturer's instructions. Before returning the device to TransLite for repair, you must call or e-mail to obtain a return authorization code and shipping information. Please provide the serial number located under the battery or outside the box when contacting the manufacturer. No refunds for unauthorized shipping.

EXPLANATION OF SYMBOLS

Model Number	Temp -20C/68F to +50C/122F	Do Not reuse
Serial Number	Humidity 45-80%	Consult instructions for use
Manufacturer	Pressure 500 - 1060hPa	Medical Device
EC Representative (EU Only)	Keep dry	MR Unsafe
Do not dispose of as unsorted municipal waste	Manufacturer date	Not made with natural rubber latex

EC REP LTD
 5 Fitzwilliam Square East
 Dublin 2 DO2 R744
 Ireland
 Tel: +353 89 225 1951
 info@ecrep.ie

UK CA Responsible Person in the UK
 Responsible Person Limited
 Summit House, 4-5 Mitchell
 Street, Edinburgh, EH6 7BD,
 Scotland

TransLite LLC
 Tel: (281) 240 3111
 Fax: (281) 240 3122
 www.veinlite.com
 info@veinlite.com

Made in USA

* This product is covered by Patents. Patent Numbers: 7,874,698; 7,841,751; 8,032,205; 8,177,808

Copyright 2017 © TransLite, LLC. All rights reserved. These instructions or any part thereof may not be reproduced by any means, without prior permission of TransLite, LLC.