

# Veinlite EMS Pro®

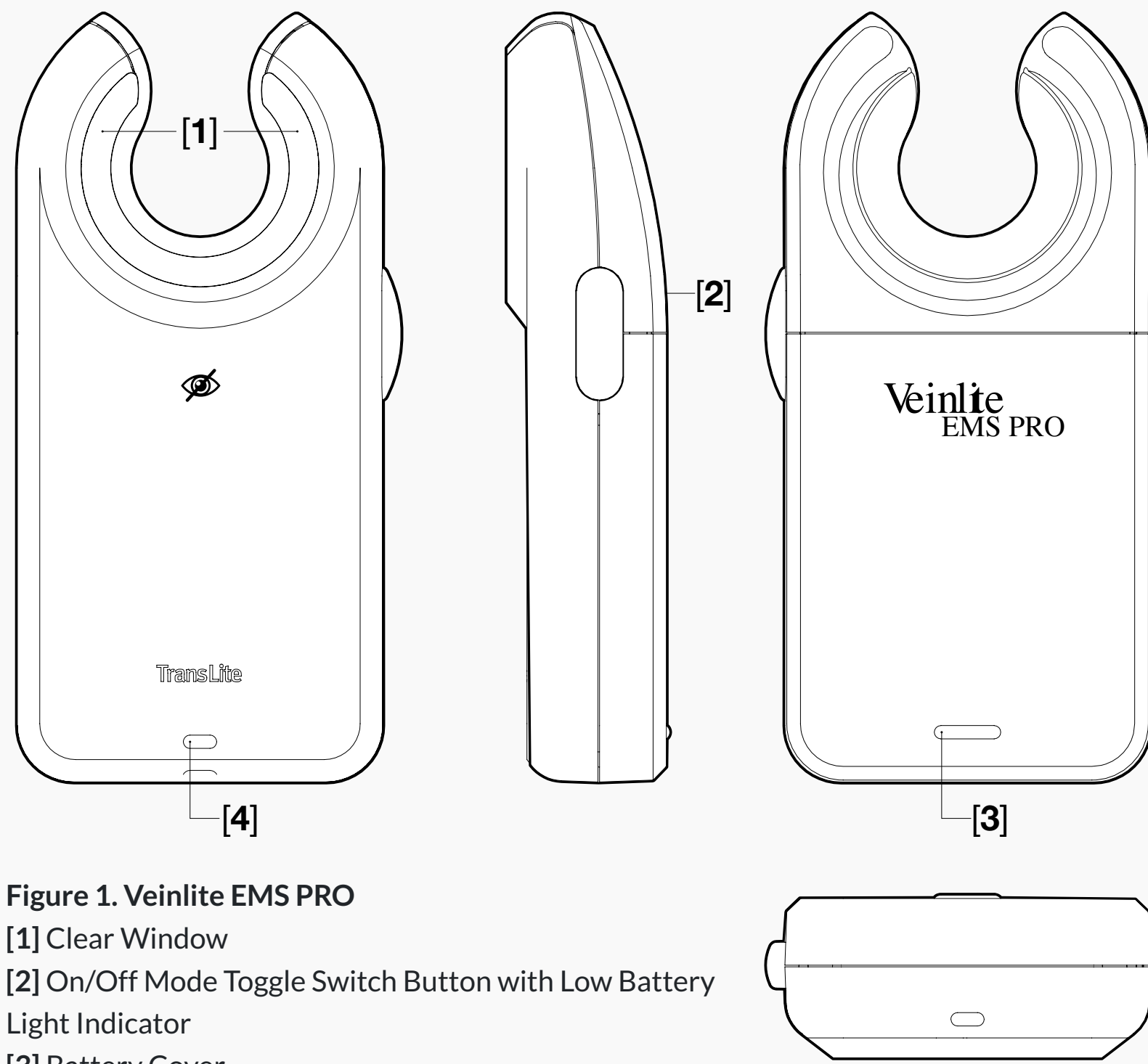
## DIRECTIONS FOR USE



### Description

The Veinlite EMS PRO is a hand-held battery powered illumination device for finding veins and assisting in vein access. It has two modes of operation: surface illumination using 8 bright white LEDs and side-transillumination using 12 orange plus 4 red LEDs. The Veinlite EMS PRO uniformly illuminates a small region of skin and subcutaneous tissue, anywhere on the body. The design of the Veinlite EMS PRO is such that during vein access, the vein is visualized, skin is stretched and the vein is secured to keep it from rolling.

### INDICATIONS



**Figure 1. Veinlite EMS PRO**  
 [1] Clear Window  
 [2] On/Off Mode Toggle Switch Button with Low Battery Light Indicator  
 [3] Battery Cover  
 [4] Lanyard Hole

#### Intended Use/Indications

- Examining the skin surface, finding veins and assisting in vein access in all patient populations
- Venous access in patients with a history of difficult venous access or fragile veins
- Easier visualization of veins in dark skinned patients

#### Contraindications

- When used for internal examination
- When used without the disposable plastic cover
- Not to be used near magnetic or electromagnetic fields

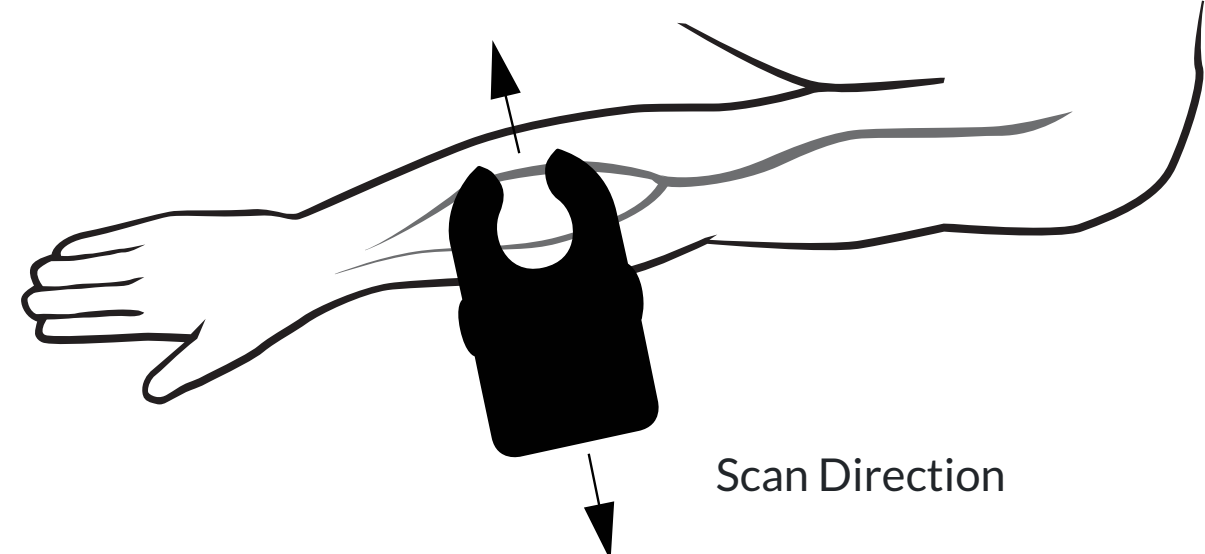
#### Specifications

Number of LEDs	12 Orange 4 Red 8 White
Weight with battery	108.2g
Dimensions	115 x 55 x 21 mm
Battery	2x AA Alkaline

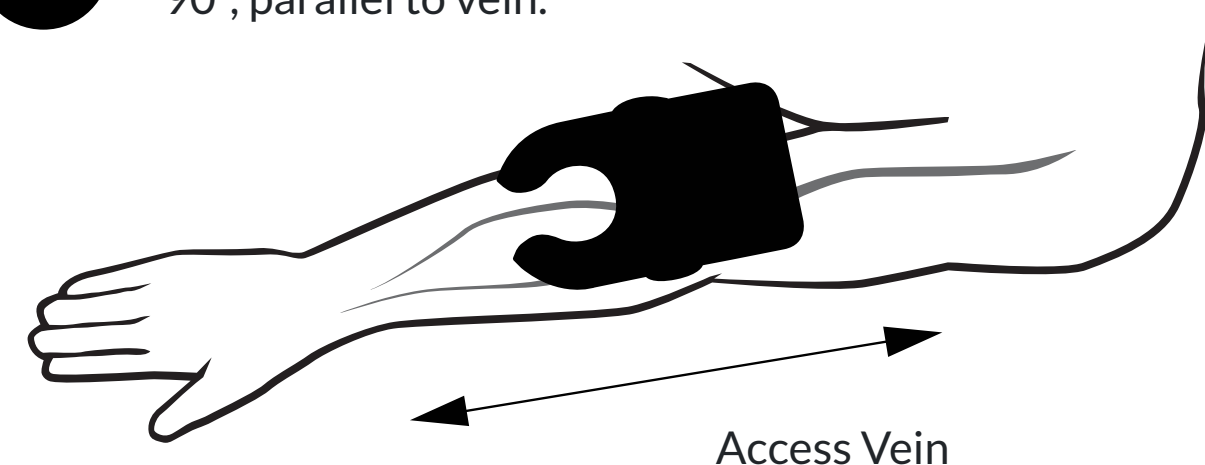
### OPERATION

- Place the EMS PRO against patient's skin with LED side in direct contact with skin perpendicular to vein direction. Apply gentle pressure to maintain optimal skin contact.
- To turn on LEDs, press opaque button located on left side of the device.
- Press button a second time to switch on white LEDs for surface illumination.
- Press button a third time to turn off.

**1** To scan for veins, place device against skin *perpendicular to vein direction*. Scan it forward and backward. Veins will be visible as dark lines due to transillumination.

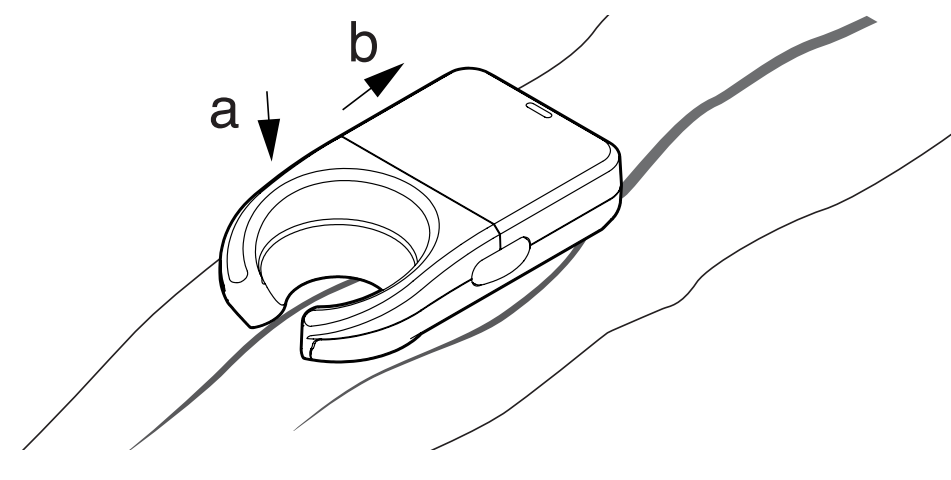


**2** Once a suitable vein has been identified, rotate device 90°, parallel to vein.

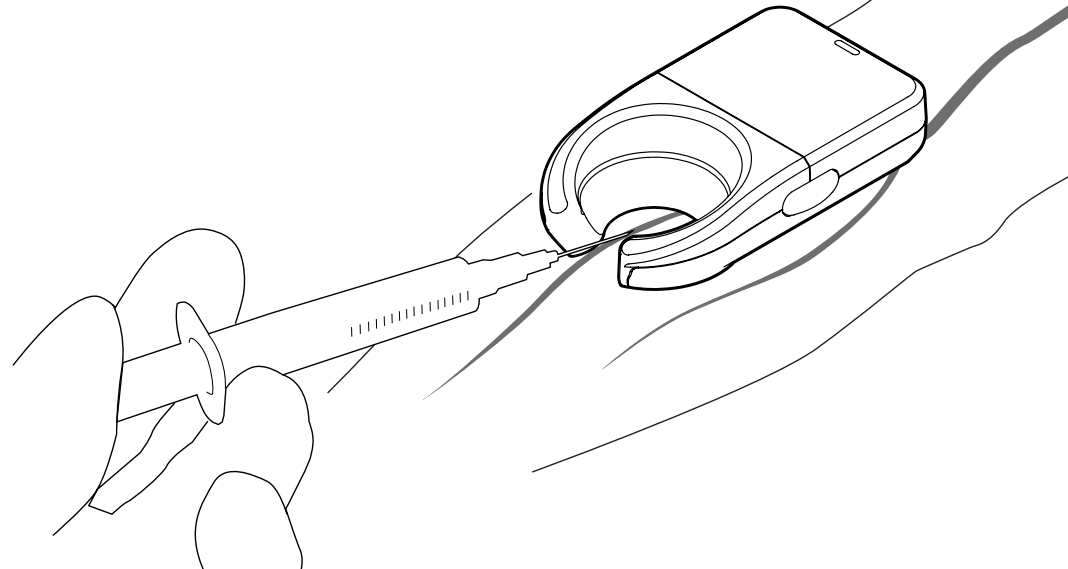


**3a** Apply gentle pressure on the Veinlite EMS PRO to secure the vein.

**3b** Push back the EMS PRO slightly to stretch skin and provide traction.



**4** Insert needle into vein, through the opening of device. NOTE: Discard single-use disposable plastic cover after each patient.



#### WARNING

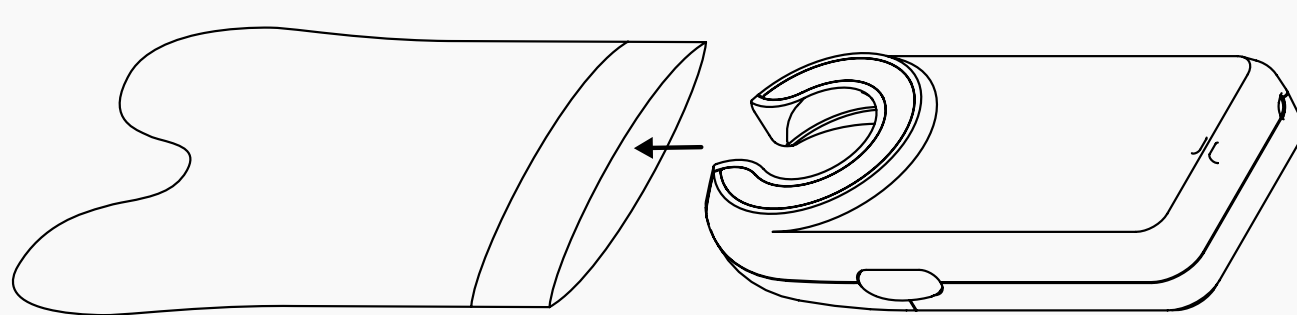
DO NOT SHINE THE LED LIGHTS IN THE PATIENT'S EYES.

### USING THE DISPOSABLE PLASTIC COVERS

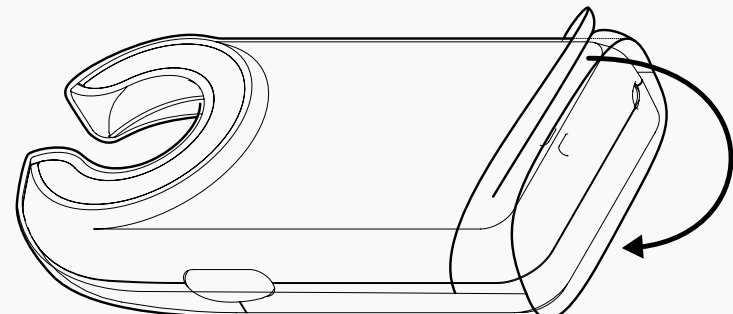
Single-use disposable plastic covers (Product #VEMS-DPC) for the EMS PRO **MUST** be used when device is placed in contact with patient's skin.

CAUTION: These plastic covers are not sterile. They should be wiped with a germicidal wipe prior to use.

- Before using Veinlite EMS PRO, place it inside the disposable cover with the flap on the same side as the LEDs.



- Pull the flap over the device to the other side.



- Wipe the LED side of the Veinlite EMS PRO and any part of it coming in contact with the patient, with a medically approved germicidal wipe.

#### Precautions

- Avoid using alcohol on the clear plastic window as this may cause fogging.
- Do not immerse the device in liquid.
- Do not autoclave the device.

[Click here to re-order EMS PRO disposable plastic covers. US customers only.](#)

#### WARNING

Veinlite EMS PRO is designed for external examination only.

To avoid contamination, the EMS PRO must be used with disposable plastic covers.

To avoid spread of infection, always change the disposable plastic cover between patients and wipe the new cover with germicidal wipes.

EMS PRO is intended for use only by clinicians trained in performing vascular access, or under the supervision of a clinician.

Do not look directly into LEDs while on.

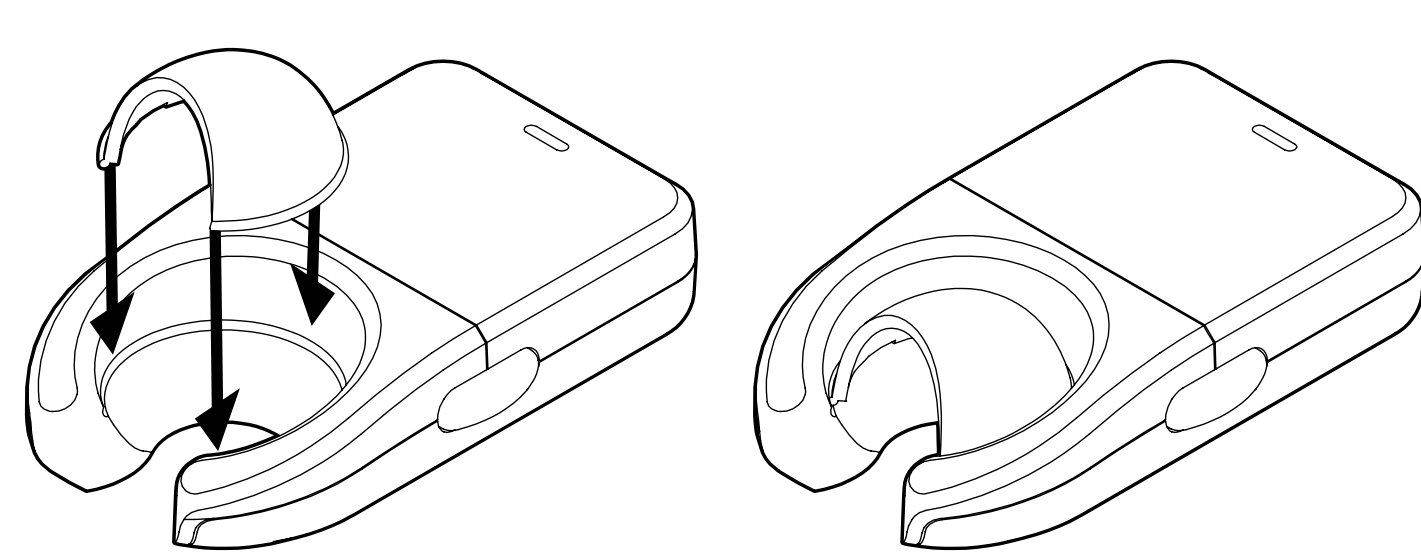
Contact TransLite about adverse event in relation to this device. Should adverse event occur in E.U., notify EU Competent Authority.

### ATTACHMENTS

Two patented\* attachments are included with the EMS PRO. The diagrams below indicate how to attach the light shield and pediatric adapter.

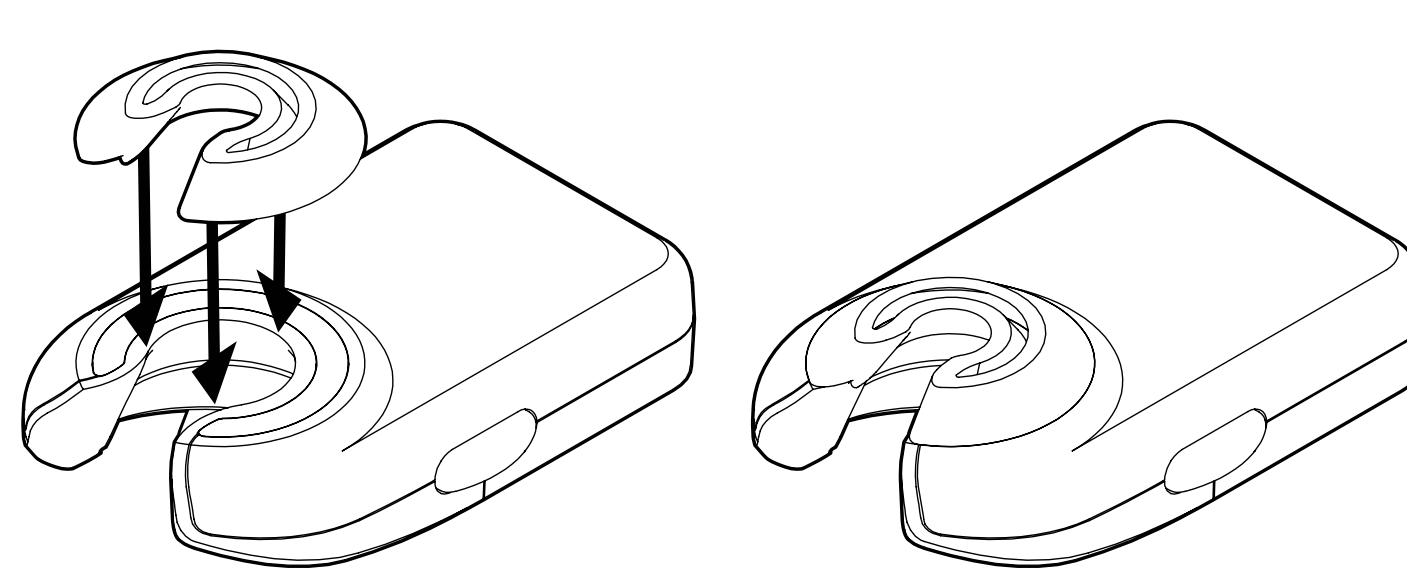
#### A. Veinlite EMS PRO Light Shield

Snap-on light shield to reduce interference from bright overhead lighting.



#### B. Veinlite EMS PRO Pediatric Adapter

Snap-on pediatric adapter to reduce size of viewing area.



### BATTERY INSTRUCTIONS

#### Multi-Color Low Battery Indicator

The EMS PRO is powered by two AA alkaline batteries. Batteries provide between 3-5 hours of continuous use depending on setting and type of battery used.

When batteries run low, an indicator light will be seen under button [2]. A red blinking light indicates approximately one hour of battery life.

#### Installing or Replacing Batteries

To install or replace batteries, press firmly on the battery cap [3] and slide off.

Remove any used batteries. Install two new AA batteries, oriented as indicated by the markings inside battery compartment. Slide battery cover back into place.

### WARRANTY INFORMATION

The Veinlite EMS PRO has a one-year parts and labor warranty. Please provide serial number, located under battery or outside of box, when you contact TransLite for any warranty issues. The warranty is valid only if the Veinlite EMS PRO is used according to the manufacturer's instructions. Before returning for repair, you must call or e-mail TransLite to obtain a return authorization code and shipping information before sending your device. No refunds will be given for unauthorized shipping.

#### EXPLANATION OF SYMBOLS

Model Number

Serial Number

EC Representative (EC Only)

CH Representative (CH Only)

UK Representative (UK Only)

Do not dispose of as unsorted municipal waste

Manufacturer

Manufacturer date

Temp -20C/68F to +50C/122F

Humidity 45-80%

Pressure 500 - 1060hPa

Keep dry

Do Not reuse

Electronic instructions available

Medical Device

Magnetic Resonance Unsafe

Not made with natural rubber latex

#### EC REP EC Rep LTD

5 Fitzwilliam Square East  
 Dublin 2 D02 R744  
 Ireland  
 Tel: +353 89 225 1951  
 info@ecrep.ie

#### CH REP E C Rep Gm bH

580 Badenerstrasse  
 8048 Switzerland  
 info@ch-rep.info

#### UK REP Responsible Person Limited

Summit House, 4-5  
 Mitchell Street, Edinburgh,  
 EH6 7BD, Scotland

#### TransLite LLC

Tel: (281) 240 3111  
 Fax: (281) 240 3122  
 www.veinlite.com  
 info@veinlite.com

\* This product is covered by Patents.

Patent Numbers: 7,874,698; 7,841,751;  
 8,032,205; 8,177,808



VEEMS PRO DFU Rev 6 0221

Made in USA